



MERLO

P 60.10

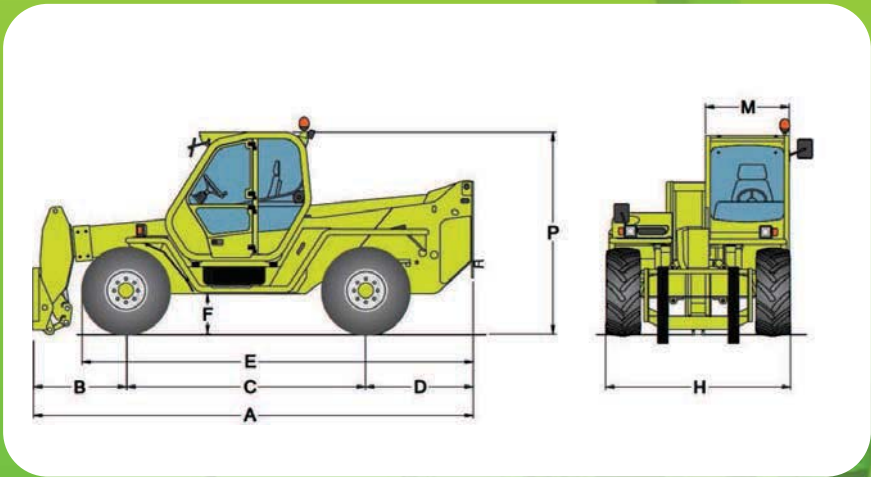
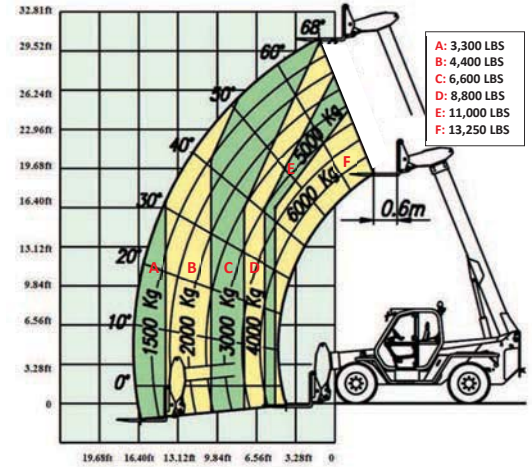
- **MAXIMUM LOAD CAPACITY: 13,200 LBS**
- **MAXIMUM LIFT HEIGHT: 31' 3"**
- **MAXIMUM REACH: 18'**
- **LIFT CAPACITY AT MAXIMUM LIFT HEIGHT: 8,800 LBS**
- **LIFT CAPACITY AT MAXIMUM FORWARD REACH: 3,300 LBS**



SPECIFICATIONS: P 60.10



Power / 4 Cylinder Turbo Diesel	Perkins/101 HP
Transmission	2 Speed / Hydrostatic
Maximum Speed	25 MPH
Total Unladen Mass (with forks)	22,000 LBS
Boom Sideshift	Standard
Frame Leveling	Standard / ±10%
Load Sensing Hydraulic Pump (PSI-gal/min)	3,050-29
Fuel Capacity	39.6 Gallons
Hydraulic Oil Capacity	29 Gallons
Tires	400/70-20
Turning Radius	13'-0"
4 Wheel Drive / 3 Steering Modes	Standard



Dimensions (FT)					
A	17'-5"	D	4'-2"	H	7'-4"
B	4'-0"	E	15'-2"	M	3'-2"
C	9'-5"	F	1'-6"	P	8'-0"

DEALER INFORMATION: