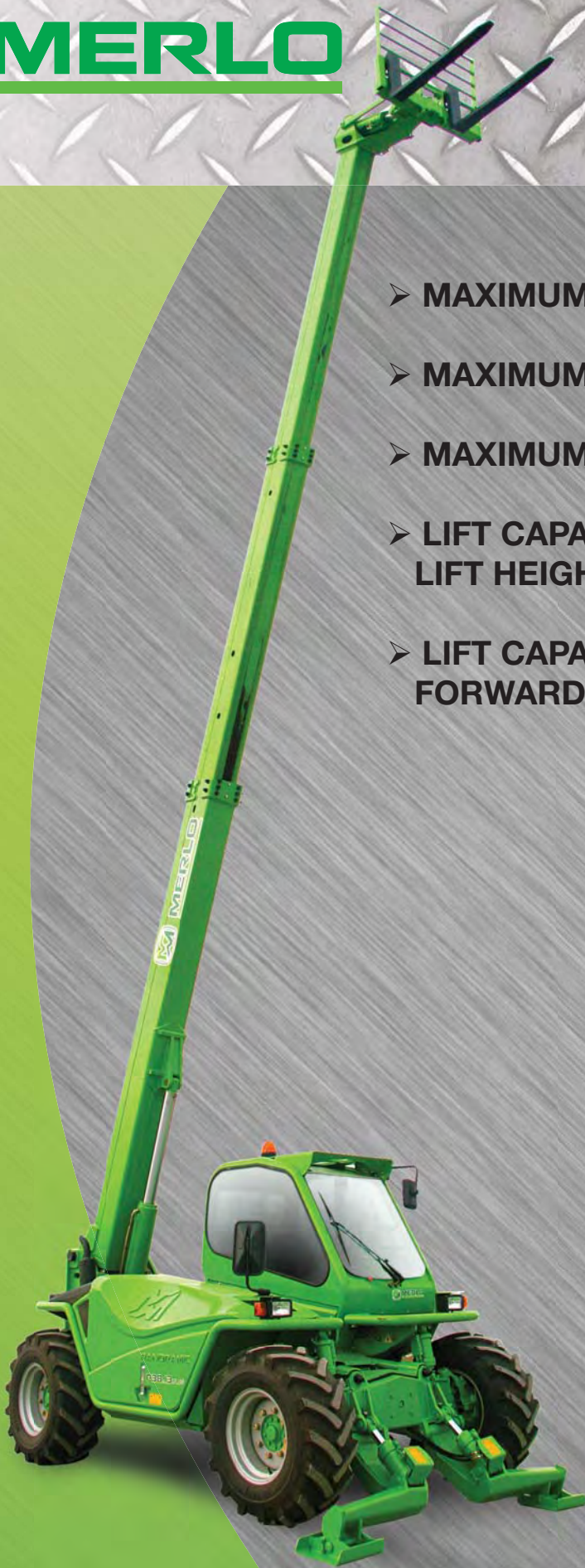




MERLO

P 38.13 STABILIZERS

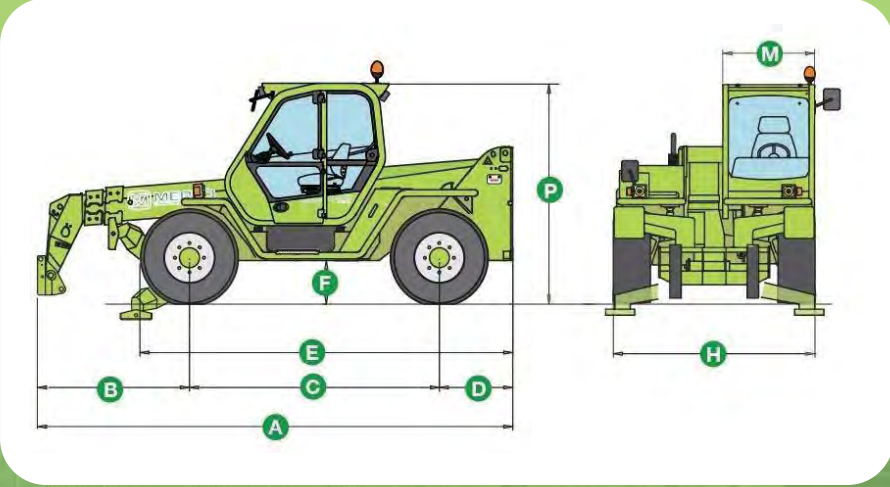
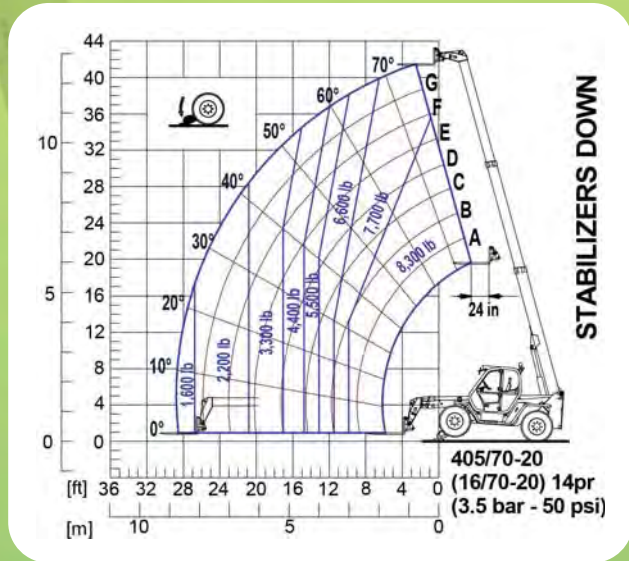
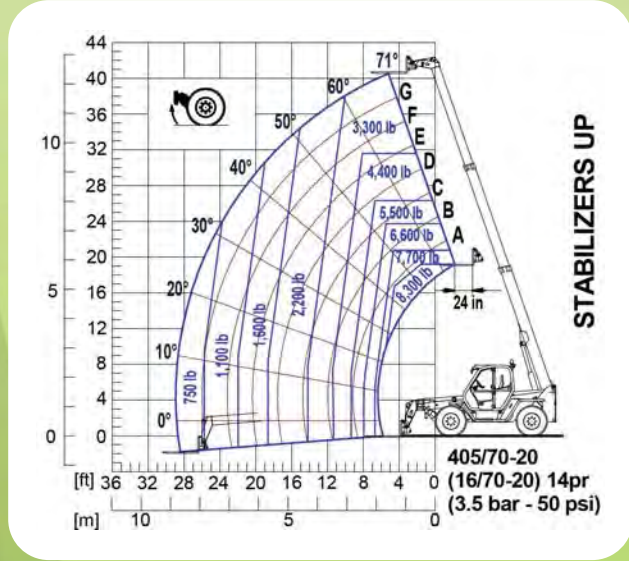


- **MAXIMUM LOAD CAPACITY: 8,300 LBS**
- **MAXIMUM LIFT HEIGHT: 41' 3"**
- **MAXIMUM REACH: 28' 2"**
- **LIFT CAPACITY AT MAXIMUM LIFT HEIGHT: 7,700 LBS**
- **LIFT CAPACITY AT MAXIMUM FORWARD REACH: 1,600 LBS**

SPECIFICATIONS: P 38.13



- Power / 4 Cylinder Turbo Diesel Perkins / 101 HP
- Transmission 2 Speed /Hydrostatic
- Maximum Speed 15 MPH
- Total Unladen Mass (with forks) 19,000 LBS
- Boom Side Shift (Inches) Standard / 13
- Frame Leveling Standard / ±10%
- Load Sensing Hydraulic Pump (PSI - gal/min) .. 3,050-29
- Fuel Capacity 40 Gallons
- Hydraulic Oil Capacity 28 Gallons
- Tires 17.5-25
- Turning Radius 12'-8"
- 4 Wheel Drive / 3 Steering Modes Standard
- Hydraulic System Load-Sensing
- Independent Front Stabilizers Standard



| Dimensions (FT) | | | | | |
|-----------------|--------|---|--------|---|-------|
| A | 17'-2" | D | 2'-7" | H | 7'-3" |
| B | 5'-0" | E | 13'-5" | M | 3'-2" |
| C | 9'-0" | F | 1'-6" | P | 8'-0" |

DEALER INFORMATION: