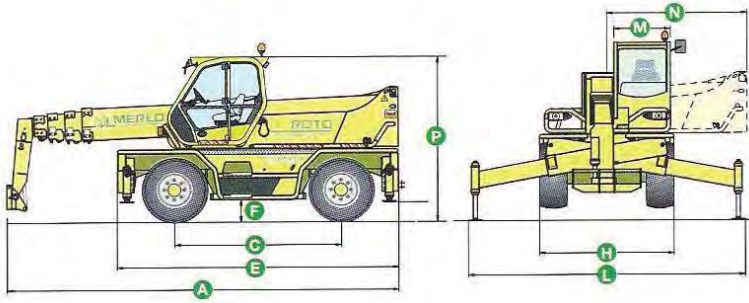




# ROTO 40.26 MCSS

## CHARACTERISTICS AND PERFORMANCE



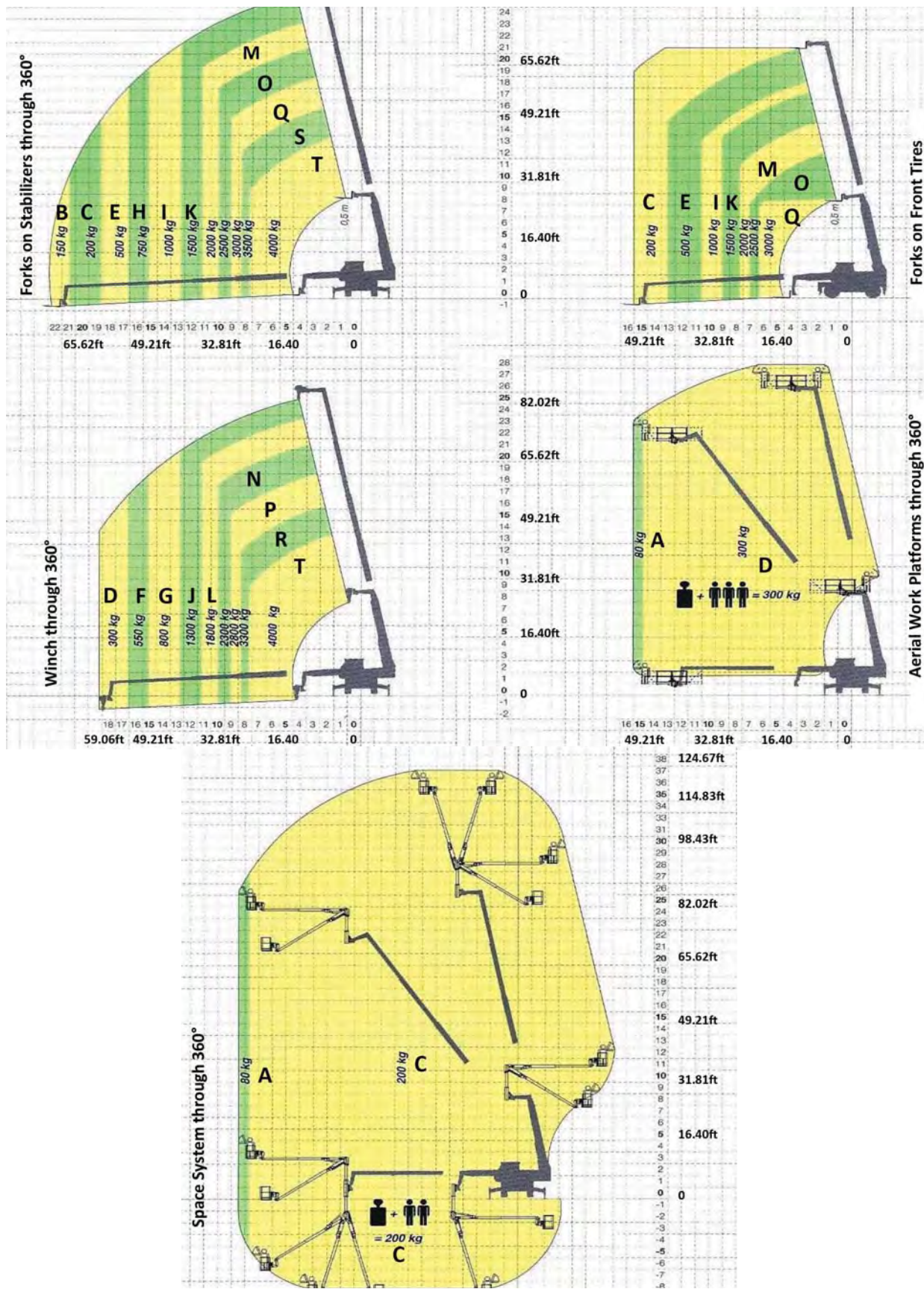
- » **Continuous turret rotation** is achieved through a Merlo electro-hydraulic central rotary coupling
- » **The cab can be tilted by up to 18 degrees** to offer an unequalled view at maximum height
- » Cab steel frame that complies with the international **ISO 3449 Level II FOPS** (Falling Object Protective Structure) standard
- » **Pneumatic suspension seat**
- » **Electronic joystick controls**
- » **Steering wheel tilt** is adjustable by up to 16 degrees
- » **Merlin system** (Merlo Local Interactive Network) provides a completely new way to automatically manage all the operating parameters and safety functions
- » **MCSS system** (Merlin Continuous Slew Safety) adjusts automatically to the load diagram to suit the stabilizer position chosen by the operator
- » **Stabilizers** with independent extension and jacking
- » **Hydropneumatic suspension** ensures maximum driving comfort and stability by leveling the machine
- » **Iveco turbo intercooler 6 cylinder engine, delivering 145HP**
- » **Hydrostatic transmission** utilizing variable displacement motor and pump
- » **Load-sensing hydraulic pump**
- » **Maximum speed: 25mph**

Performance figures refer to the machine equipped with forks, operating on stabilizers.  
 (1) Measured at suspension mid-point. (2) ZM2 version front tool holder  
 • Standard ◦ Optional

Total weight unladen, with forks (lbs.)	34,051
Maximum load capacity (lbs.)	8,800
Maximum Lift height (ft.)	85'-3"
Maximum forward reach (ft.)	75'-1"
Lift height at maximum load capacity (ft.)	44'-6"
Forward reach at maximum load capacity (ft.)	26'-8"
Load capacity at maximum height (lbs.)	3,300
Load capacity at maximum forward reach (lbs.)	330
Turret rotation (degrees)	Continuous
Engine (make / cylinder/ HP)	Iveco / 6 / 145
Fuel capacity (gal)	40
Speed in 1st gear range (mph)	10
Speed in 2nd gear range (mph)	25
Load sensing hydraulic system (PSI-gal/min)	3,480-29
Hydraulic oil capacity (gal)	42
Electrical circuit (V)	12
Battery (Ah)	160
Hydraulically controlled stabilizers	•
Hydropneumatic suspension	•
Cab compliant with FOPS standards	•
Tilting cab	•
Merlin electronic control system	•
Electro-mechanical joystick controls	-
Electronic joystick controls	•
Tac-Lock attachment coupling	•(2)
Auxiliary boom hydraulic service	•
Two floating forks (48 inches long)	•
Hydrostatic transmission	•
Hydrostatic oil capacity (gal)	3.1
Finger-Touch direction reversing control	•
Permanent four-wheel drive	•
Four wheel steering	•
Service disk brakes on all wheels	•
Automatically locking parking brake	•
Tires	18/65-22.5
Radio remote control	◦
Pneumatic seat	•
Rear differential lock	◦
Four cab working lights (2 front & 2 back)	◦
Manual air conditioning system	◦
Roof window wiper	◦
Manual battery isolator	◦
Front and roof sun shade	◦

### Dimensions (FT)

A	22'-9"	F	1'-1"(1)	M	3'-3"	R	13'-3"
C	9'-8"	H	7'-9"	N	8'-2"	S	21'-6"
E	16'-5"	L	16'-2"	P	9'-7"		



**Load Charts (LBS):**

A	180	E	1,100	I	2,200	M	4,400	Q	6,600
B	330	F	1,200	J	2,860	N	5,100	R	7,300
C	440	G	1,300	K	3,300	O	5,500	S	7,700
D	660	H	1,650	L	4,000	P	6,200	T	8,800

## Attachments:

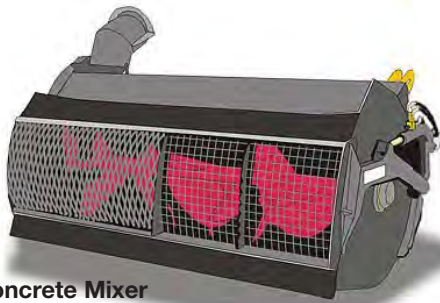
- » Space System
- » Tunnel Ring
- » Variable Width Man Baskets
- » Crane Booms
- » Crane Hooks
- » Fly Jibs
- » Fly Jibs with Winches
- » Mini Tower Jibs
- » Hydraulic Winches
- » Material Handling Buckets
- » Digging Buckets
- » Fixed Platforms
- » Concrete Mixer
- » Pipe Handlers



Variable Width Man Basket



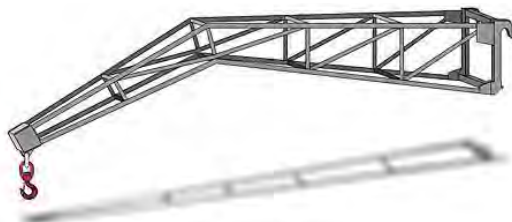
Mini Tower Jib



Concrete Mixer



Floating Forks Carriage



Fly Jib Lift



Space System



Hydraulic Winch