

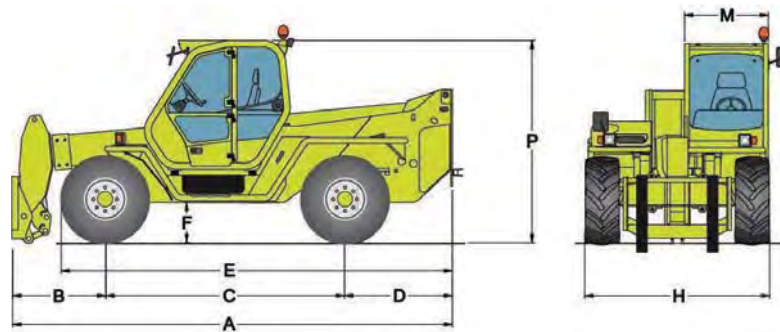
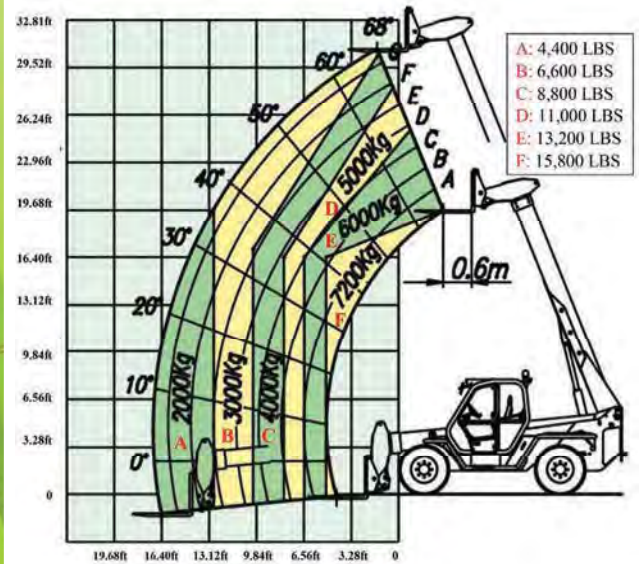
- **MAXIMUM LOAD CAPACITY: 15,800 LBS**
- **MAXIMUM LIFT HEIGHT: 31' 3"**
- **MAXIMUM REACH: 18'**
- **LIFT CAPACITY AT MAXIMUM LIFT HEIGHT: 8,800 LBS**
- **LIFT CAPACITY AT MAXIMUM FORWARD REACH: 4,400 LBS**



SPECIFICATIONS: P 72.10



Power / 4 Cylinder Turbo Diesel Perkins/101 HP
 Transmission 2 Speed / Hydrostatic
 Maximum Speed 25 MPH
 Total Unladen Mass (with forks) 23,000 LBS
 Boom Sideshift Standard
 Frame Leveling Standard / ±10%
 Load Sensing Hydraulic Pump (PSI-gal/min) 3,050-29
 Fuel Capacity 39.6 Gallons
 Hydraulic Oil Capacity 29 Gallons
 Tires 400/70-20
 Turning Radius 13'-0"
 4 Wheel Drive / 3 Steering Modes Standard



Dimensions (FT)					
A	17'-5"	D	4'-2"	H	7'-4"
B	4'-0"	E	15'-2"	M	3'-2"
C	9'-5"	F	1'-6"	P	8'-0"

DEALER INFORMATION: