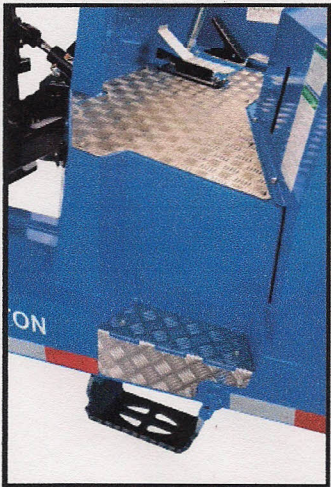


Technical Specifications

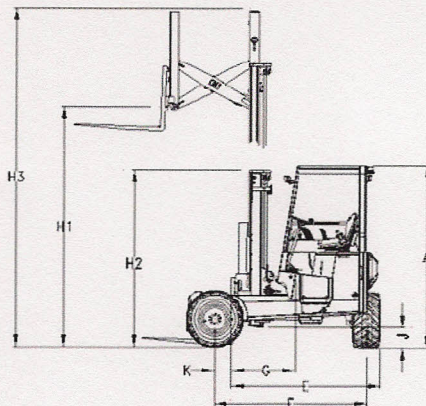
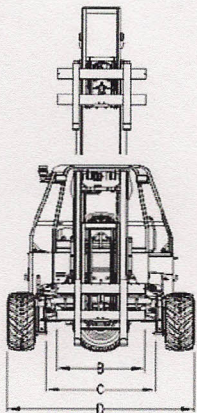
Princeton PB50X Range



MODEL	PB50X	PB55X
TYPE	Pantograph	Pantograph
1 CAPACITY @ 24 INCH LOAD CENTER	5000 lbs	5500 lbs
2 KUBOTA DIESEL ENGINE	50HP	50HP
3 MAXIMUM REVS	3000 rpm	3000 rpm
4 ELECTRICAL SYSTEM	12 Volt	12 Volt
5 DRIVE WHEELS	3	3
6 STEERING	Hydrostatic	Hydrostatic
7 TIRE TYPE	31x15.5-15 8 PLY (T.G.)	31x15.5-15 8 PLY (T.G.)
8 TIRE OUTSIDE DIAMETER	31"	31"
9 TIRE WIDTH	15 1/2"	15 1/2"
10 MAXIMUM SPEED	7 mph	7 mph
11 MAXIMUM GRADABILITY	30%	30%
12 TURNING RADIUS	91"	91"
13 UNLADEN WEIGHT	7300 lbs	7740 lbs
13a UNLADEN WEIGHT (Optional)	7450 lbs	7860 lbs
14 WORKING PRESSURE FOR ATTACHMENTS	2500 psi	2500 psi
15 TILT OF MAST (FORWARD / BACK)	10° / 8°	10° / 8°
16 SIDESHIFT	5"	5"
17 FORK SECTION	45x4x2"	45x4x2"
18 MAST CARRIAGE TRAVEL (Pantograph Reach)	27" (48")	27" (48")
A HEIGHT TO TOP OF CANOPY	101"	101"
B FORK CARRIAGE WIDTH	48 1/4" (III)	48 1/4" (III)
C FRAME OPENING	57 3/4"	57 3/4"
D OVERALL WIDTH	101"	101"
E OVERHANG	36"	36"
F WHEEL BASE	83 1/2"	83 1/2"
G C. OF G. FROM FORK FACE	30"	30"
H1 LIFT HEIGHT	120"	120"
H2 MAST HEIGHT COLLAPSED	97 1/4"	97 1/4"
H3 MAST HEIGHT RAISED	185"	185"
H1a LIFT HEIGHT	144"	144"
H2a MAST HEIGHT COLLAPSED	109 1/4"	109 1/4"
H3a MAST HEIGHT RAISED	211"	211"
J GROUND CLEARANCE	11"	11"
K FACE OF FORK TO CENTER OF FRONT TIRE	9"	9"
L ANSI STANDARD	B56.6	B56.6

The above specifications are not binding upon the manufacturer and may be changed without prior notice.

Weights may vary depending on tire and/or fork options.



PRINCETON
DELIVERY SYSTEMS™

Princeton Delivery Systems
12233 Williams Road
Perrysburg, OH 43551 USA
tel 1.800.331.5851
www.piggy-back.com

A Part of the Hiab Group